



SUMITOMO ELECTRIC FORKLIFT TRUCKS

3.5-4.0-ton



SUMITOMO NACCO FORKLIFT CO., LTD., the manufacturer of forklifts and logistic equipment, is the company obtained the approval of ISO9001 and ISO14001.

Manufactured by
SUMITOMO NACCO FORKLIFT CO.,LTD.
2-75, Daitoh-cho, Obu-shi, Aichi-ken, 474-8555 JAPAN
Phone: 81-562-48-5251 Fax: 81-562-48-5396

We offer personalized after service and looking forward to see you.

 **SUMITOMO**
NACCO FORKLIFT

SUMITOMO NACCO FORKLIFT SALES CO.,LTD.
2-18, Heiwajima 3-chome, Ota-ku, Tokyo, 143-0006 JAPAN
Phone: 81-3-6404-3262 Fax: 81-3-6404-3272

CODE
E51-009

*The actual features and specifications may differ from those described in the catalog.
*The color of the photographs in this catalog may differ slightly from the actual color depending on the ink quality.

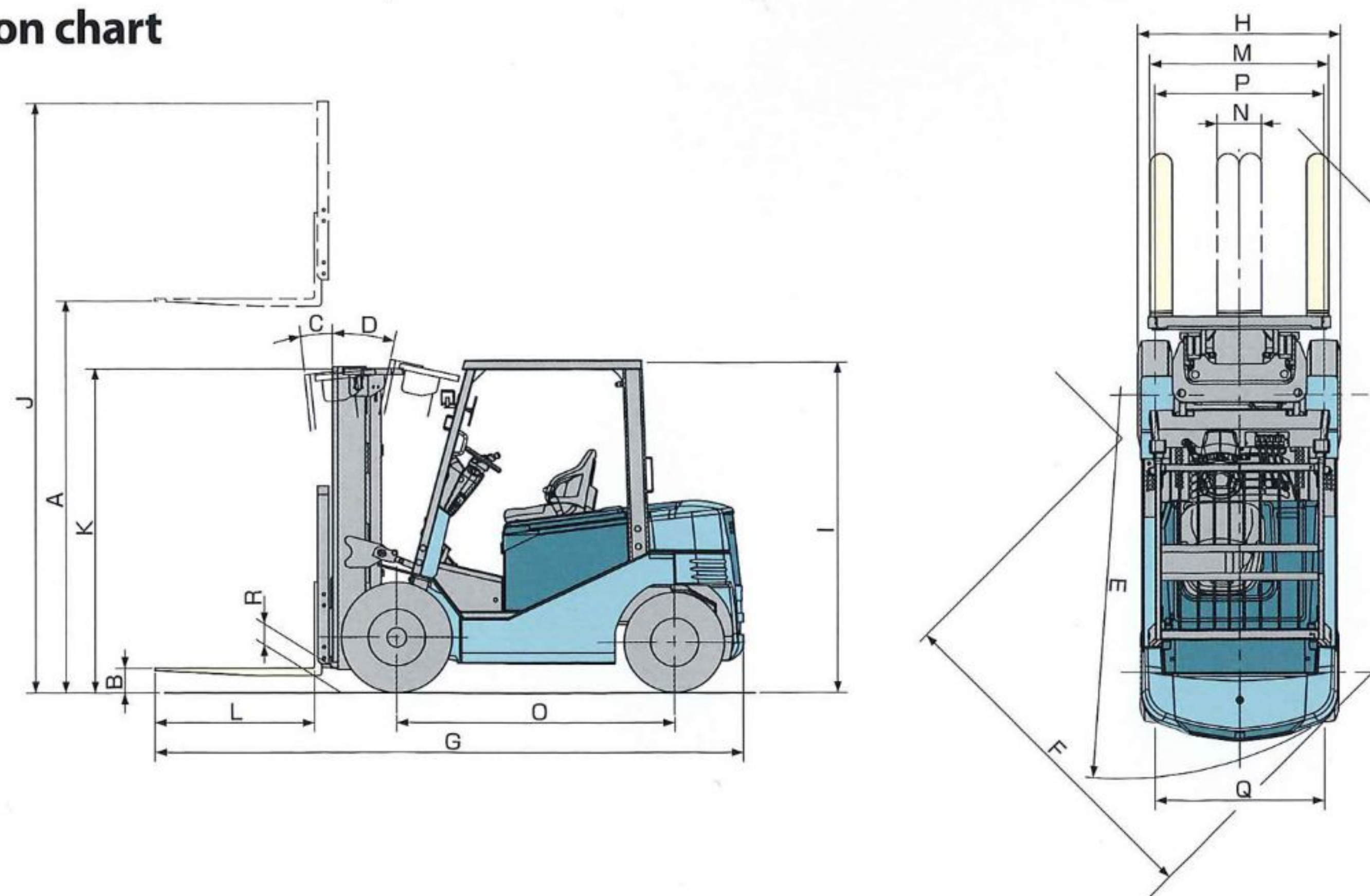


 **SUMITOMO**

Specifications

| Model | 8FB35PZX | | 8FB40PZX | |
|---------------------------------|---------------------|--------------|---------------------|---------------------|
| Performance | | | | |
| Capacity | kg | 3,500 | 4,000 | |
| With load center at | | 600 | 600 | |
| Max. Lifting height | A | mm | 3,010 | 3,010 |
| Standard free lift | B | mm | 150 | 145 |
| Tilt of mast (Forward/backward) | C/D | digree | 6/12 | 6/12 |
| Travel speed | Unladen | km/h | 18.0 | 18.0 |
| (Standard tread) | Laden | km/h | 17.0 | 16.5 |
| Liftingspeed | Unladen | mm/s | 480 | 480 |
| | Laden | mm/s | 370 | 350 |
| Minimum turning radius | E | mm | 2,570 | 2,720 |
| Equal aisle width | | mm | 2,300 | 2,370 |
| Dimensions | | | | |
| Overall length | with forks | G | mm | 3,940 |
| Overall width | | H | mm | 1,360 |
| Height | Canopy guard | I | mm | 2,215 |
| | Extended mast | J | mm | 4,250 |
| | Collapsed mast | K | mm | 2,170 |
| Fork length | | L | mm | 1,070 |
| Fork spread | Max.-Min. | M/N | mm | 1,200-300 |
| Wheelbase | | O | mm | 1,855 |
| Tread | Front/Rear | P/Q | mm | 1,130/1,140 |
| Ground clearance | Mast | R | mm | 140 |
| Unladen weight | w/ standard battery | | kg | 5,720 |
| | w/o battery | | kg | 4,390 |
| Tire | | | | |
| Front wheels | | | | 2.50-15-16PR (I) |
| Back wheels | | | | 7.00-12-12PR (I) |
| Electrical Components | | | | |
| Control type | Drive | | FET inverter | FET inverter |
| | Hoist | | FET inverter | FET inverter |
| | Steering | | IGBT chopper | IGBT chopper |
| Drive motor | Type | | AC induction | AC induction |
| | Rated output | kW | 10.3 | 10.3 |
| Hoist motor | Type | | AC induction | AC induction |
| | Rated output | kW | 20.9 | 20.9 |
| Power steer motor | Type | | DC permanent magnet | DC permanent magnet |
| | Rated output | kW | 1.2 | 1.2 |
| Battery compartment | W × L × H | mm | 710 × 1,028 × 780 | 800 × 1,028 × 780 |
| Battery capacity | Minimum | Volt × Ah/hr | 72 × 440/5 | 72 × 600/5 |
| | Maximum | Volt × Ah/hr | 72 × 600/5 | 72 × 700/5 |
| Dual Tire | | | | |
| Overall width | | mm | 1,760 | 1,760 |
| Tread | Front | mm | 1,305 | 1,305 |
| Unladen weight | w/o battery | kg | 4,440 | 4,460 |
| Tyre size | Front | | 7.00-15-10PR (I) | 7.00-15-10PR (I) |

Dimension chart



Main Accessories

●: Standard △: Optional

| | 8FB35PZX | 8FB40PZX |
|-----------------------------------|----------|----------|
| Controls | | |
| Auto-power-OFF | ● | ● |
| Regenerative braking | ● | ● |
| Neutral regeneration (*1) | ● | ● |
| Ramp start (*2) | ● | ● |
| Neutral start (*3) | ● | ● |
| Accelerator pedal adjustment (*4) | ● | ● |
| Traction power adjustment (*4) | ● | ● |
| Hoist speed limit (*4) | ● | ● |
| Tilt speed limit (*4) | ● | ● |
| Travel speed limit (*5) | ● | ● |
| BDI interrupt (*6) | ● | ● |
| Multi-display | | |
| Battery discharge indicator | ● | ● |
| Digital clock | ● | ● |
| Multi hour meters | ● | ● |
| Speedometer | ● | ● |
| Safety monitor | ● | ● |
| Operation management | ● | ● |
| Password entry (*7) | ● | ● |
| Lights | | |
| Headlights (*8) | ● | ● |
| Turning indicators | ● | ● |
| Back buzzer | ● | ● |
| Tilting steering wheel | | |
| Suspension seat | △ | △ |
| Battery Ah/5HR (72V) | | |
| 440 | ● | |
| 600 | △ | ● |
| 700 | △ | △ |

- *1 Releasing accelerator during travel activates regenerative braking to slow vehicle speed.
 *2 When starting on a grade, automatic torque adjustment prevents roll-back.
 *3 If the key is switched ON with travel lever engaged or accelerator depressed, vehicle is held stationary and an error message is displayed.
 *4 Acceleration, and power, hoist and tilt speeds can be adjusted to match job requirements.
 *5 Max. speed can be set to conform with workplace speed limit.
 *6 When battery charge falls below 20%, hoist speed is first reduced by 50%, then fork operation stops altogether, to prevent damage to batteries.
 *7 10 different codes can be pre-set.
 *8 With warning buzzer.

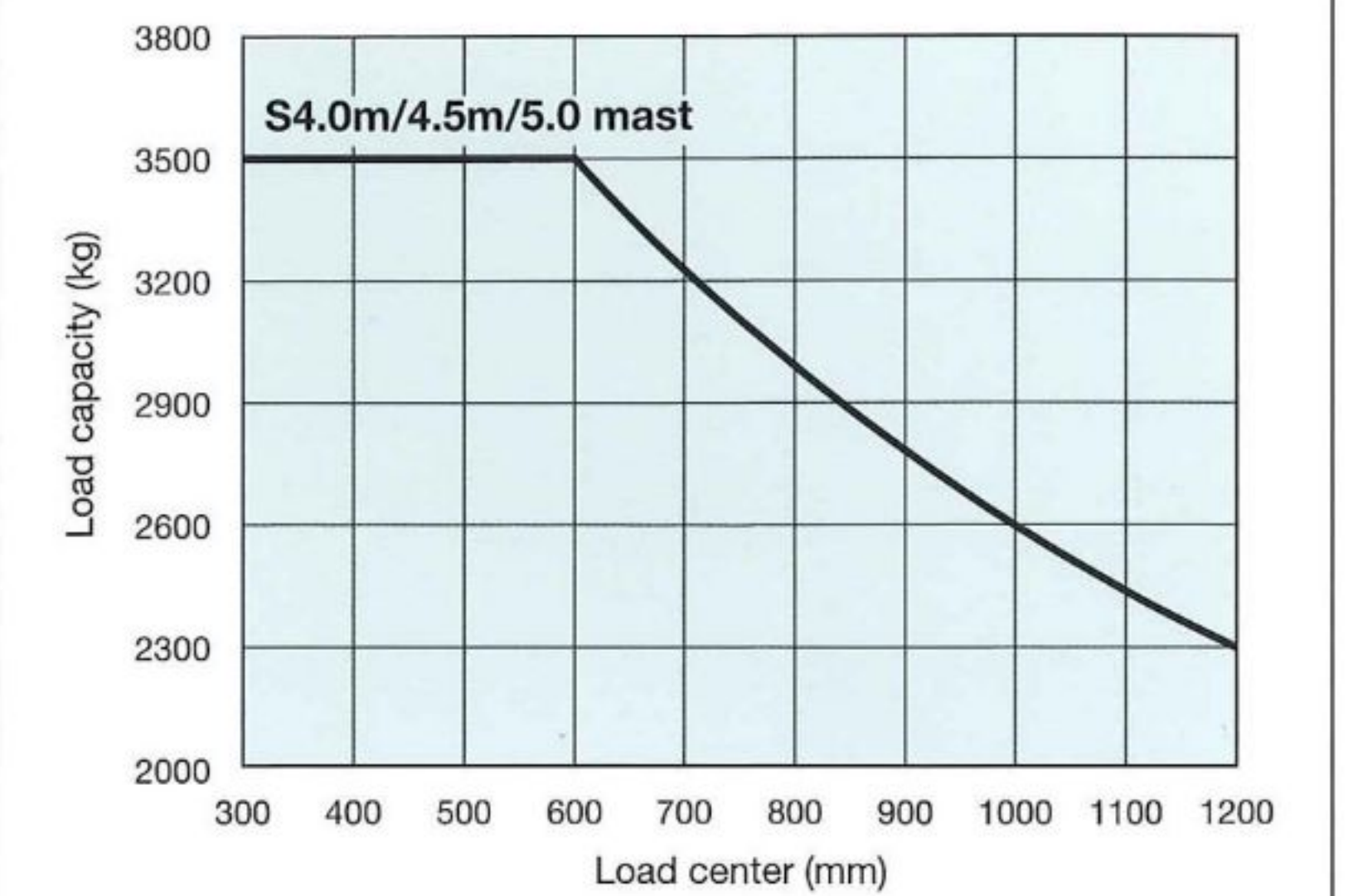
Masts

| Max. lifting height | 8FB35/40PZX |
|---------------------|-------------|
| 3000mm | ◎ △ |
| 3300mm | ○ |
| 3500mm | ○ |
| 3700mm | ○ |
| 4000mm | ○ ★ |
| 4300mm | ○ |
| 4500mm | ○ |
| 4700mm | ○ |
| 5000mm | ○ ★ |
| 5300mm | ★ |
| 5700mm | ★ |
| 6000mm | ★ |

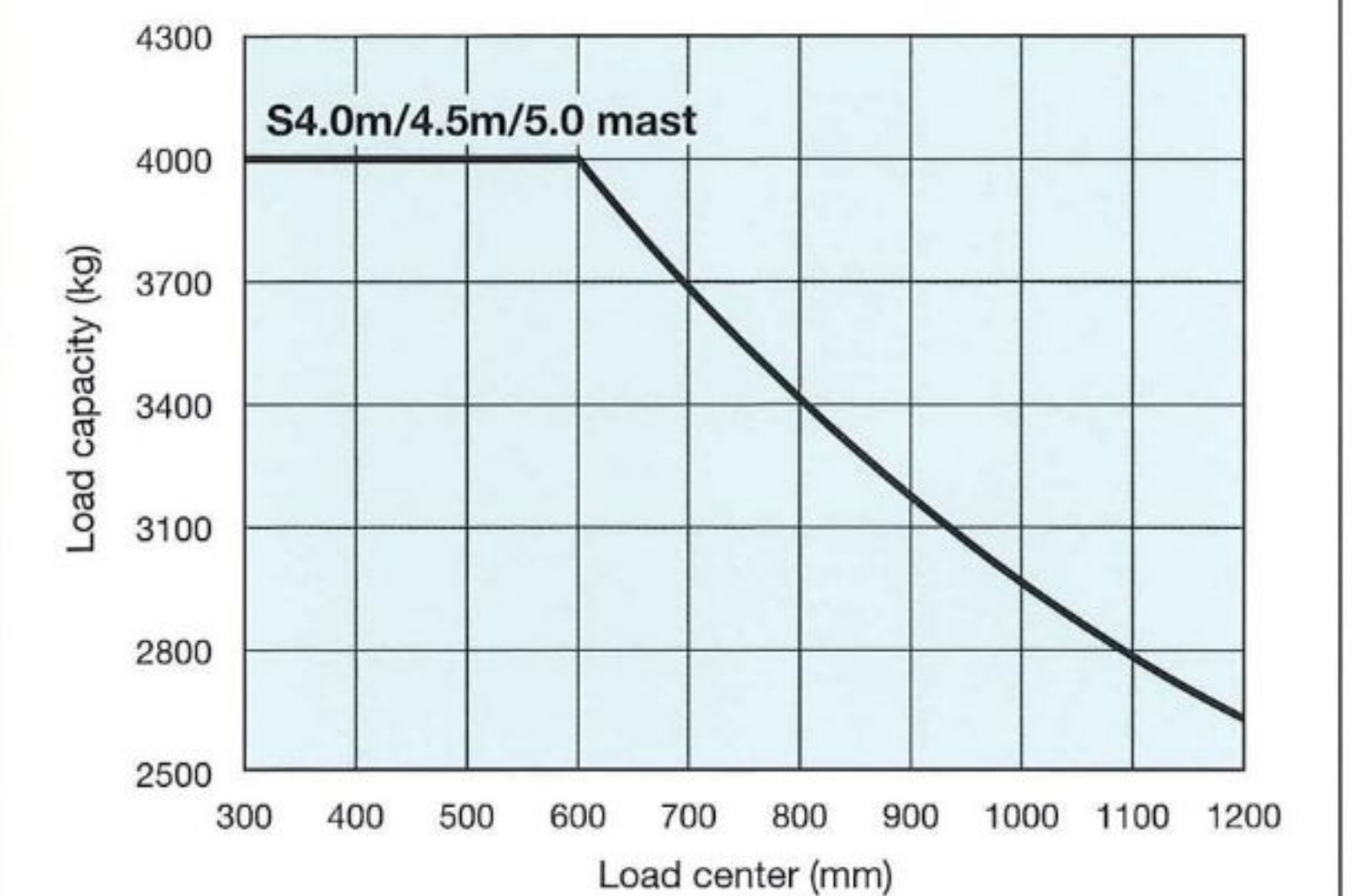
- ◎ Standard mast
 ○ High mast
 ★ 3-stage full-free mast
 △ full-free mast

Load Capacity Charts

8FB35PZX



8FB40PZX



Options

- Long fork
- Extension fork
- High backrest
- Wide carriage
- Double tires
- Pneumatic solid tires
- Colored tires
- Windscreen
- Rear view mirror
- Left-hand shift levers
- Working lights
- Rotating lights
- Forward/reverse chime
- Forward/reverse melody alarm
- Battery top up device
- Spare battery